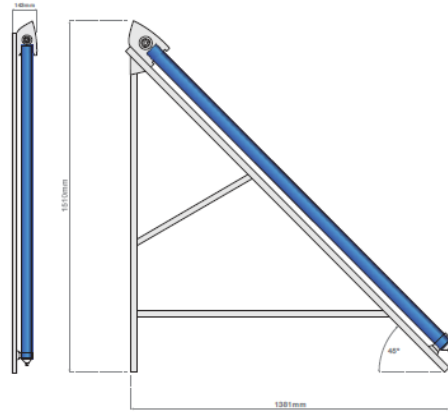


SOLAR COLLECTORS– EVACUATED TUBES – SPECIFICATIONS



No. of Tubes	L mm	W mm	H mm	Weight kg	Max Operating Pressure	Stagnation temp.	Angle of Collector	Flow Rate
20	2020	1700	140	77	6 bar	200°C	15°-75°	0.5-1.5ltrs per min per m ² aperture
30	2020	2520	140	114	6 bar	200°C	15°-75°	0.5-1.5ltrs per min per m ² aperture

No. of Tubes	Aperture Area	Appx Energy Yield	Heat Output Kw	Gross Area
20	1.867 m ²	1052 Kw hrs	1.72	3.21 m ²
30	2.791 m ²	1578 Kw hrs	2.58	4.79 m ²
40	3.734 m ²	2104 Kw hrs	3.44	6.42 m ²
60	5.582m ²	3156 Kw hrs	5.16	9.58 m ²

SOLAR COLLECTORS – EVACUATED TUBES



Size of collector	Code	Price £
20 tubes	010-SC-20Tubes	423.05
30 tubes	010-SC-30 Tubes	581.70
Spare Tube	010-SC-Tube	21.15

Roof Installation Kits



Roof Bolts	Code	Price £
M10x200mm	020-PRO-001	2.67
M10x250mm	020-PRO-002	3.55
M12x350mm	020-PRO-003	4.41
Roof Brackets	Code	Price £
For tiled roofs	020-SUN-008	6.70
Stainless Steel Straps	Code	Price £
Pack of 3 incl 3 x 40mm bolts	020-SS001	13.75

Please refer to installation manual for details of roof fixing option